

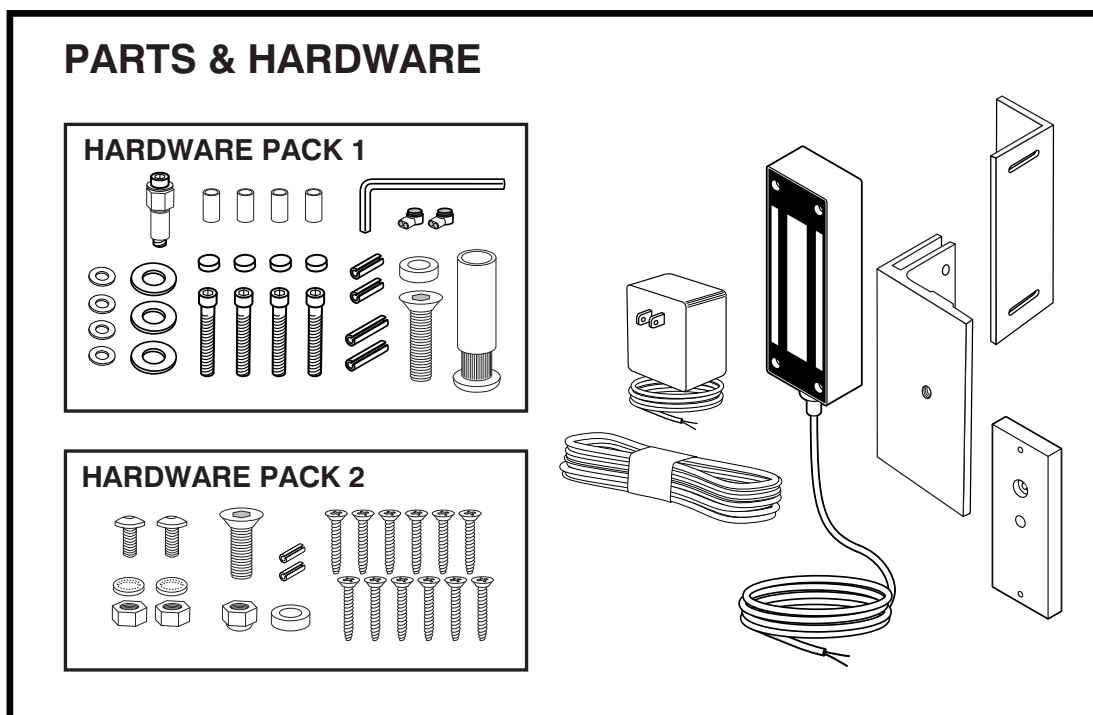


ELECTROMAGNETIC LOCK INSTALLATION OVERVIEW

PLEASE READ BEFORE INSTALLING

Familiarize yourself with the gate and post conditions prior to installation. The lock must rigidly mount to the gate post. The armature is designed to pivot slightly to compensate for reasonable misalignment.

Due to the wide diversity of gate designs custom mounting brackets may be necessary to facilitate the installation. An L-Z Bracket is included to accommodate the majority of gate applications. The lock is mounted to the vertical gate post. The armature is mounted to the leading edge of the gate.



GTO Sales: (800) 543-GATE (4283) or (850) 575-0176 • Fax (850) 575-8912 or
GTO Technical Service (800) 543-1236 or (850) 575-4144

24/7 Troubleshooting Wizard: <http://support.gtoinc.com>

SURVEY THE INSTALLATION

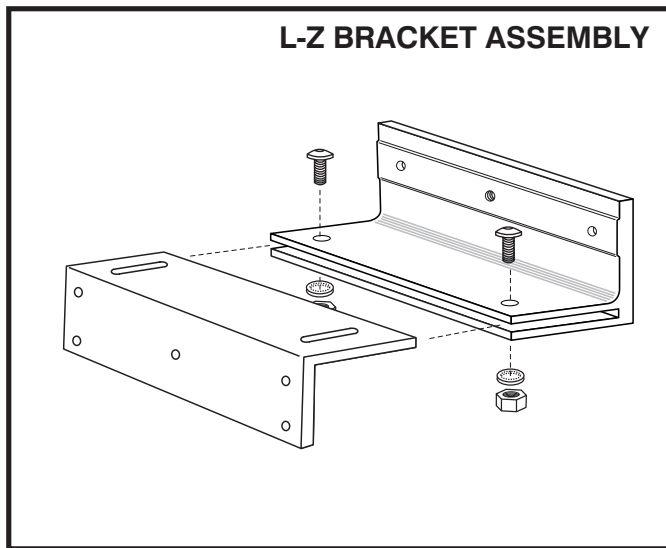
Inspect the gate and determine if supplemental brackets and/or special mounting hardware will be required for installation. If you are using the L-Z Bracket refer to the instructions furnished for specific installation information. Fabricate/procure custom bracket(s), hardware, and/or attachments as necessary.

PREPARE THE GATE POST FOR MOUNTING THE GATE LOCK ASSEMBLY

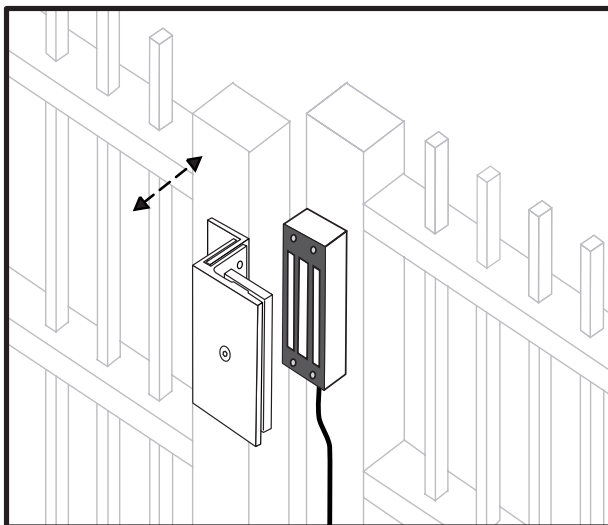
Determine the desired location for mounting the Gate Lock assembly on the gate post. If you are mounting the lock assembly directly to the post, locate, mark, and drill four mounting screw holes. If using an intermediate bracket to affix the lock assembly to the post, prep the mounting screw holes accordingly.

PREPARE THE GATE FOR ARMATURE MOUNTING

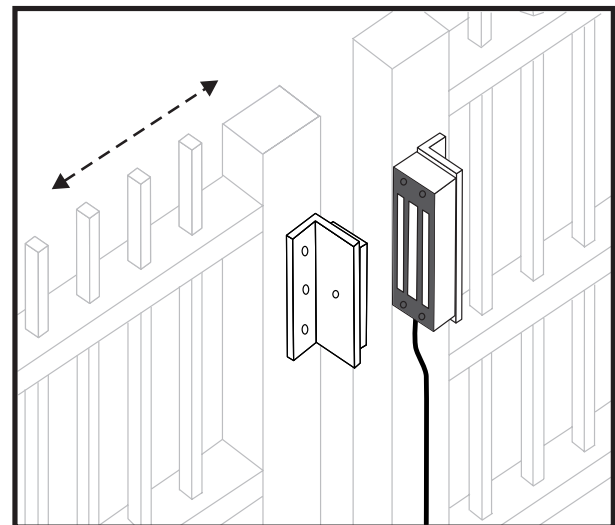
If the L-Z bracket will be used to affix the armature to the gate, prep the armature mounting and anti-spin pin holes on the bracket accordingly.



SWING GATE APPLICATION EXAMPLE



SLIDE GATE APPLICATION EXAMPLE



MOUNTING THE ARMATURE

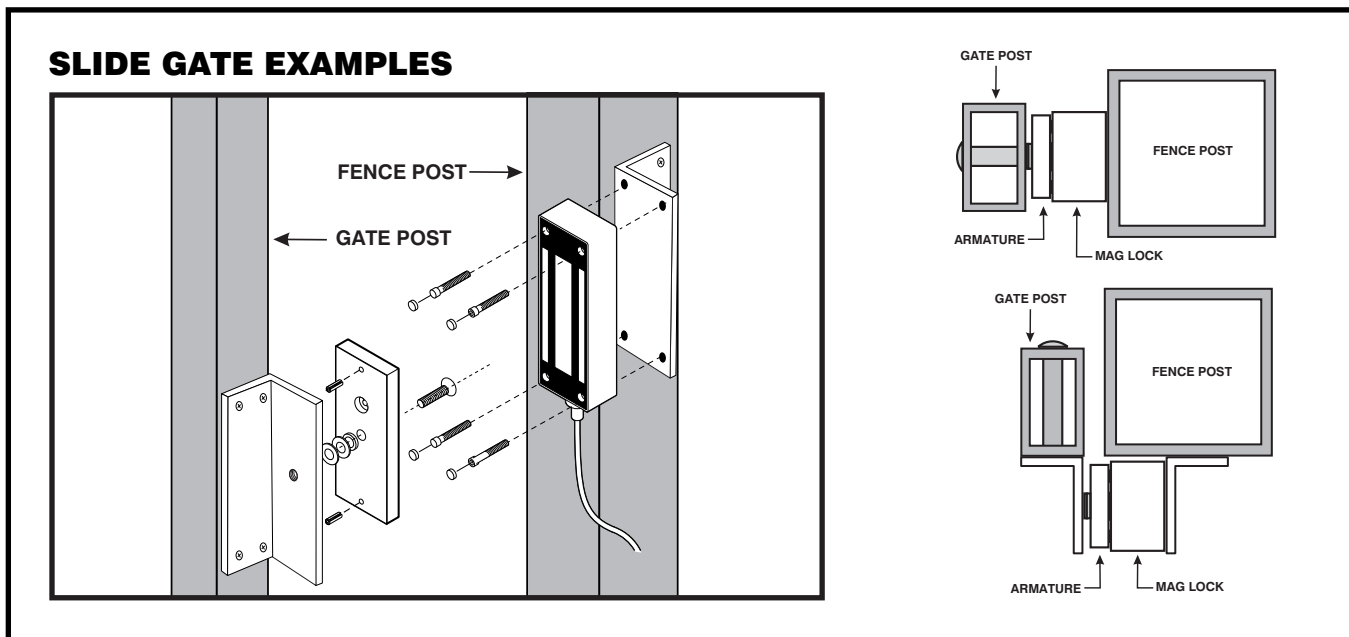
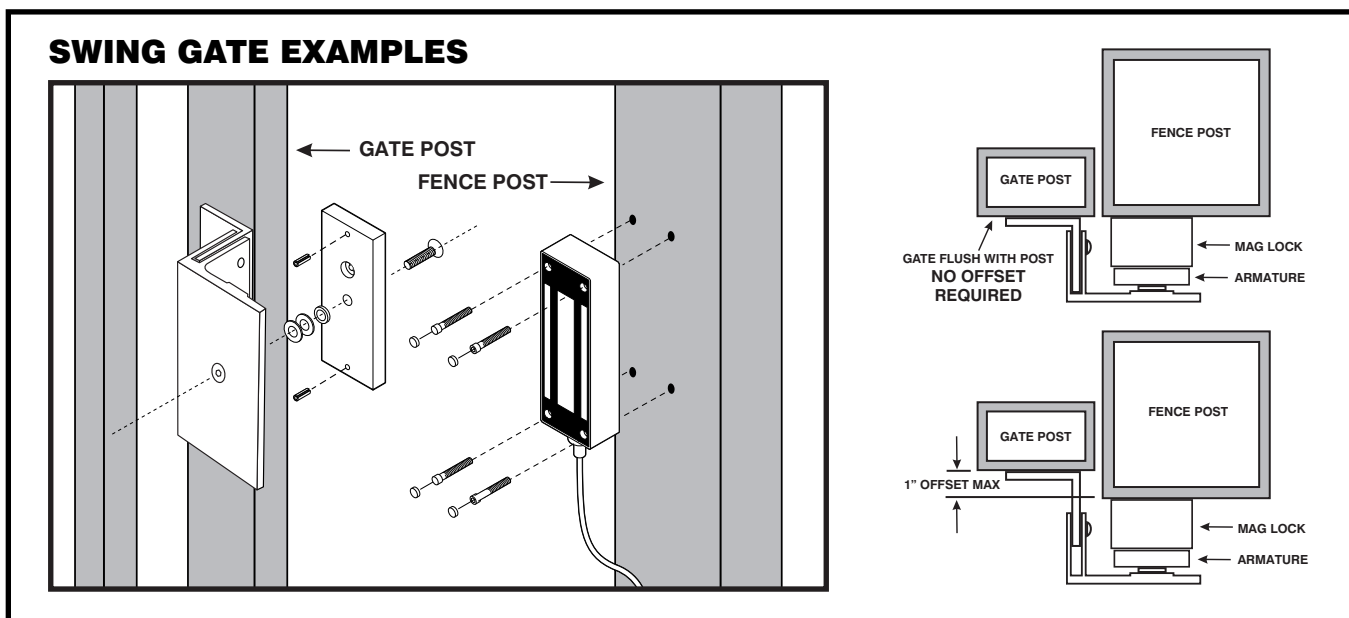
Locate the two 3/16" dia. anti-spin pins from the hardware kit. Place the armature face-down on a soft surface and drive the anti-spin pins into the holes provided. Refer to the illustrations below to select the correct mounting hardware and mount the armature. Firmly tighten the armature mounting screw.

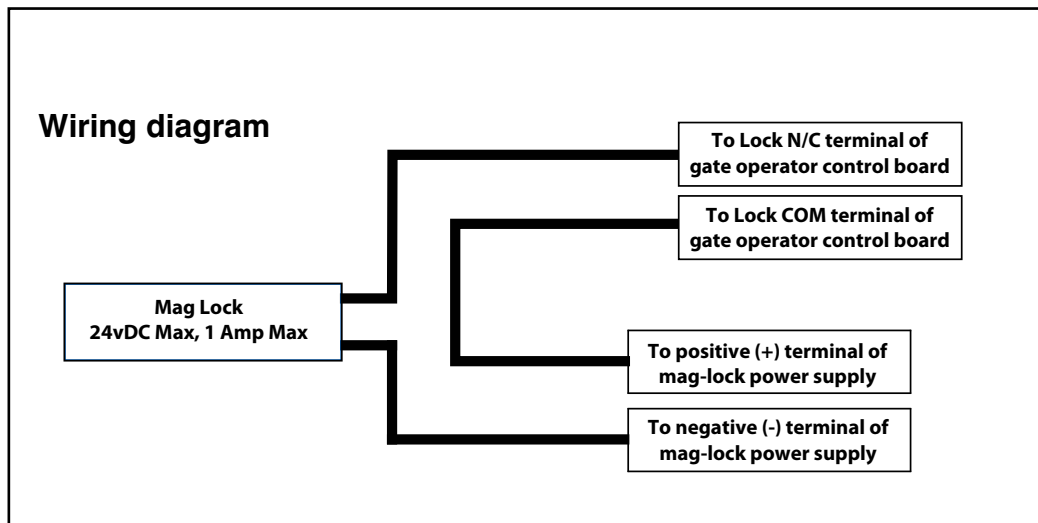
MOUNTING THE MAGNET

Mount the magnet assembly to the gate with the four self-tapping screws provided. Install the anti-tamper plugs over the mounting screws with a soft mallet.

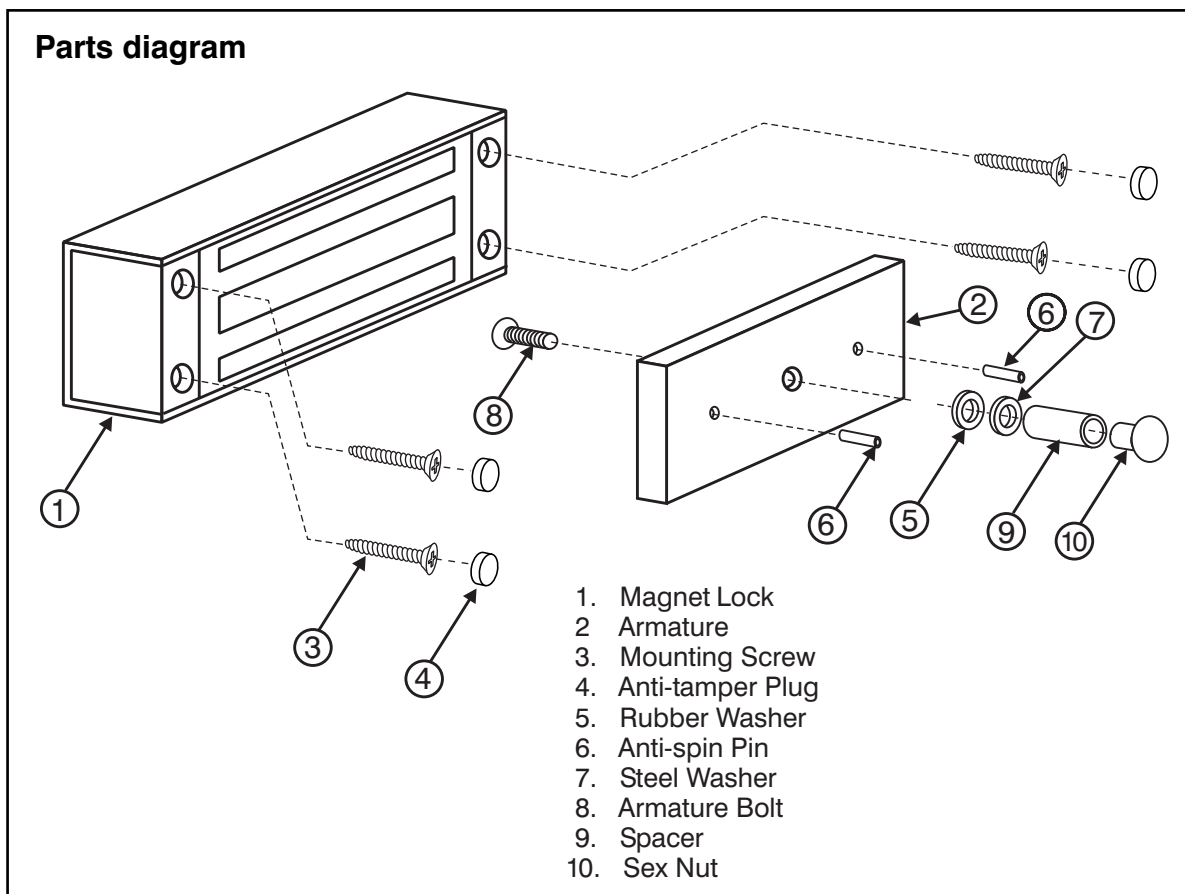
VERIFY PROPER ALIGNMENT

Close the gate and verify the lock face and armature are making full contact for the entire armature length. Make corrective adjustments as necessary.





NOTE: GTO's GP-Series (SL050, SL100, SW050 and SW100) operators are Magnetic Lock ready with a NORMALLY CLOSED contact Lock Terminal. GTO's low voltage (2000XL, 3000XL, 4000XL, SL1000 and SL2000) operators do not have a NORMALLY CLOSED contact Lock Terminal and will require the addition of a NORMALLY CLOSED contact relay.



GTO Hours of Operation: Mon. – Fri., 8:00 A.M. - 7:00 P.M. (ET)
Phone (800) 543-1236 • FAX (850) 575-8950
Web site: www.gtoaccess.com
24/7 Troubleshooting Wizard: <http://support.gtoinc.com>