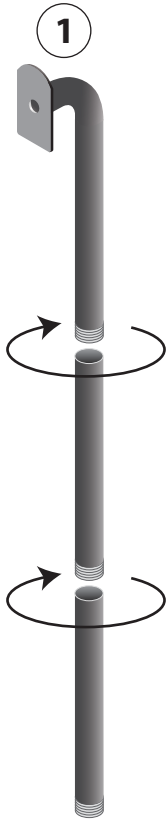


INSTRUCTIONS FOR ASSEMBLY AND IN-GROUND INSTALLATION

This box contains all parts for a standard in-ground installation with 45 inches above the ground. Important: Assemble and tighten post completely before cementing in ground to prevent face plate from facing in the wrong direction.



STEP 1

Assemble the three pieces of the mounting post together by screwing them together.

STEP 2

Determine the location of the Mounting Post installation.

STEP 3

Dig a hole at least 22 inches deep and wide enough to accommodate the concrete used to hold the post in place.

STEP 4

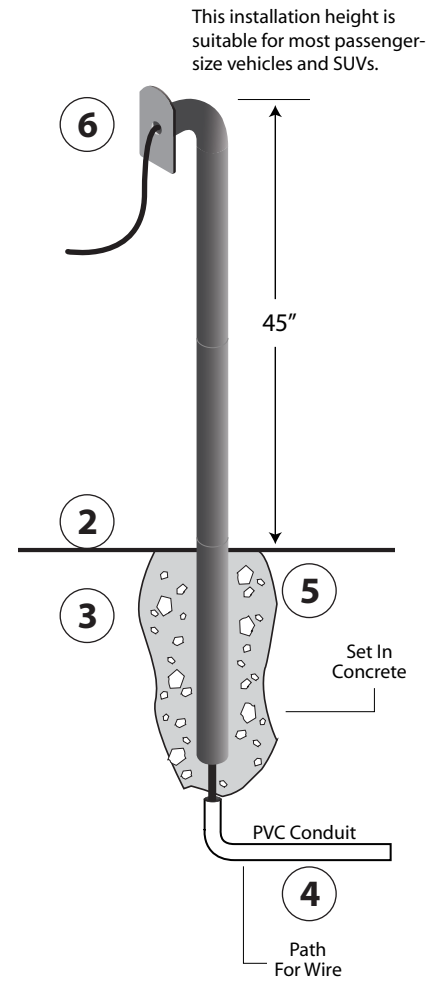
If for use with hard wire access controls, provide path for wires. We recommend using PVC conduit.

STEP 5

DO NOT continue unless post is assembled and tightened completely. Cement post in place using a level to achieve a level and plumb installation.

STEP 6

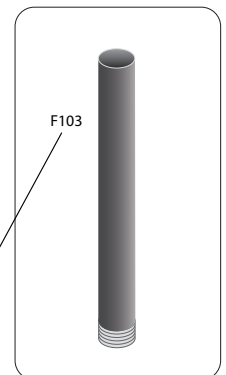
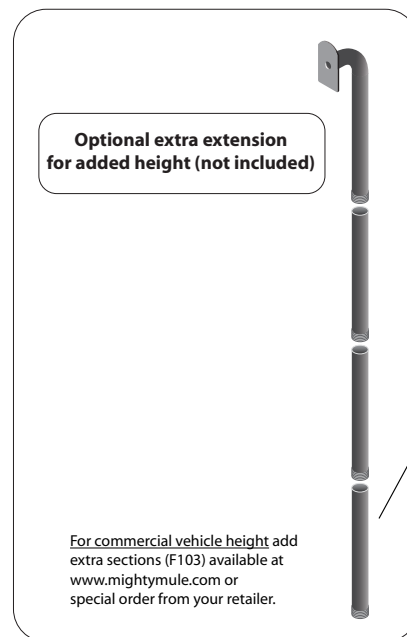
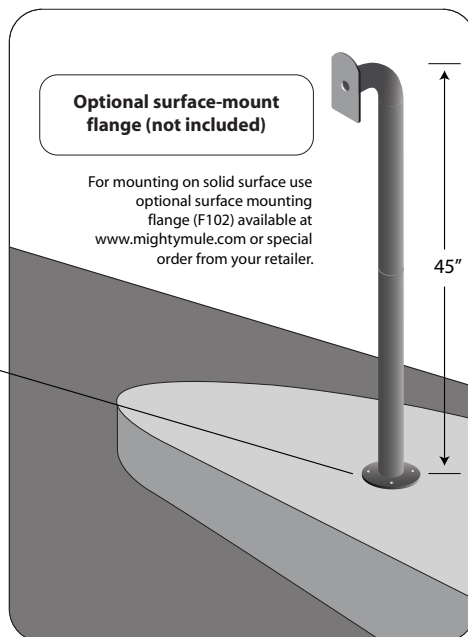
Install keypad/intercom according to products instructions.



*See below for other mounting options.
Additional hardware not included.



**F102 Flange Kit
Sold Separately**



**F103 Extensions
Sold Separately**