

# GTO<sup>®</sup>/ACCESS SYSTEMS

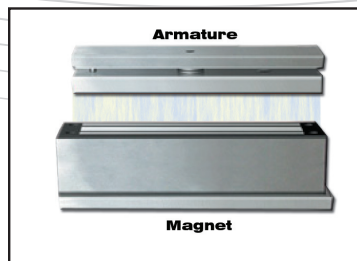
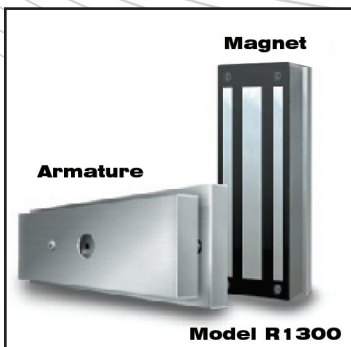
PROFESSIONAL RESIDENTIAL

Technology • Innovation • Quality  
Since 1987



## MAGNETIC GATE LOCK (R1200)

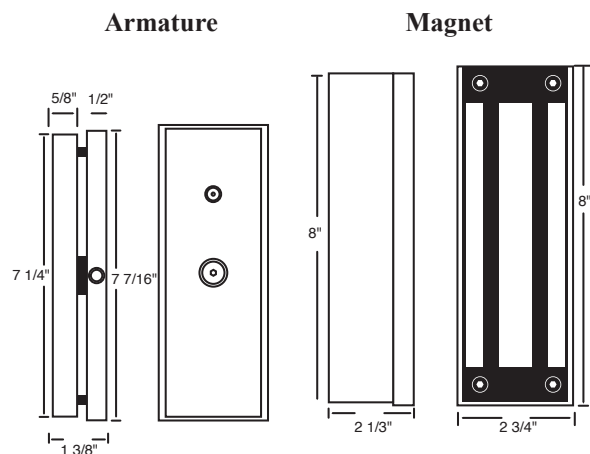
The R1200 is a heavy duty vehicular gate magnetic lock system for outdoor applications.



### STANDARD FEATURES

- Accepts 12V DC or 24V DC voltage input.
- Heavy duty stainless steel construction.
- Designed to mount vertical or horizontal.
- Pivoting steel armature for simple alignment.
- Z-bracket for mounting included.
- Shipping weight 16 lbs. (7.25 kg).
- May require R4407 NC (normally closed) Relay Controller.

The armature is connected to a steel mounting plate and pivots to compensate for an uneven installation, allowing for the strongest possible connection with the lock. The R1200 is simply the best choice for a fast and reliable magnetic lock installation. With 1200 lbs.(543 kg) of holding force, the R1200 provides strong and reliable protection on vehicular gates.



Model R1200 vehicular gate lock with 1200 lbs. holding force

AVAILABLE FROM:

1-800-543-GATE (4283) • WWW.GTOACCESS.COM

GTO®, GTO/PRO®, Bulldog®, GTO Access Systems™, are trademarks of Gates That Open, LLC and are the exclusive property of Gates That Open, LLC ("GTO"). All rights are reserved by GTO, and these marks may not be used in any form without the prior written permission of GTO. © 2009