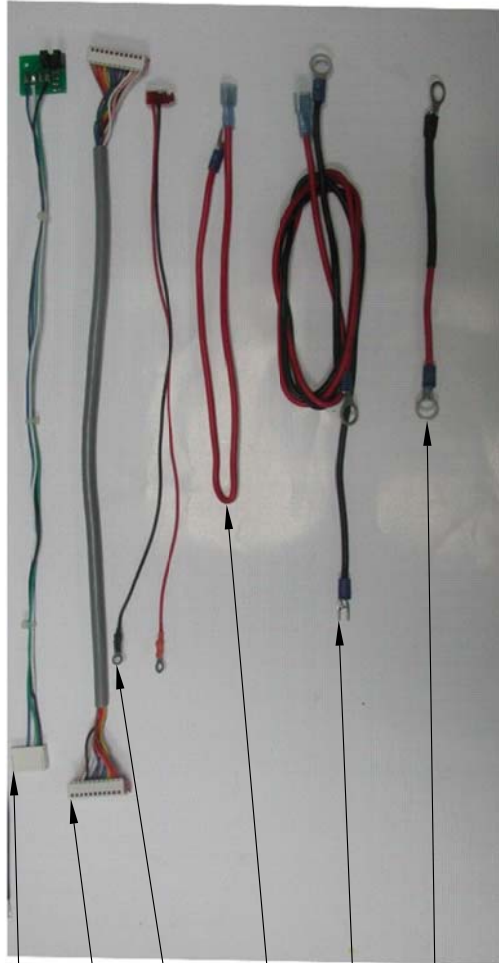
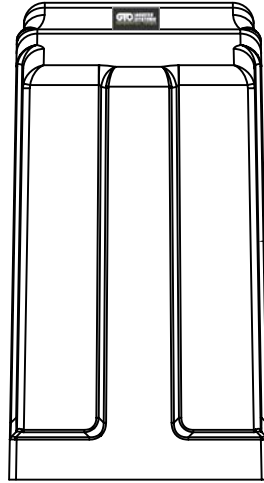


GTO/PRO GPSL050-PARTS LIST

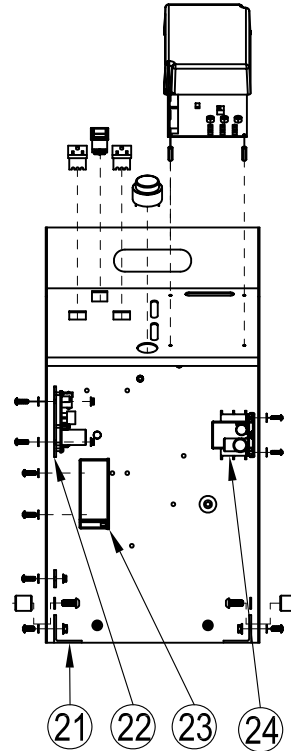
AVAILABLE REPLACEMENT PART KITS (individual parts not available)



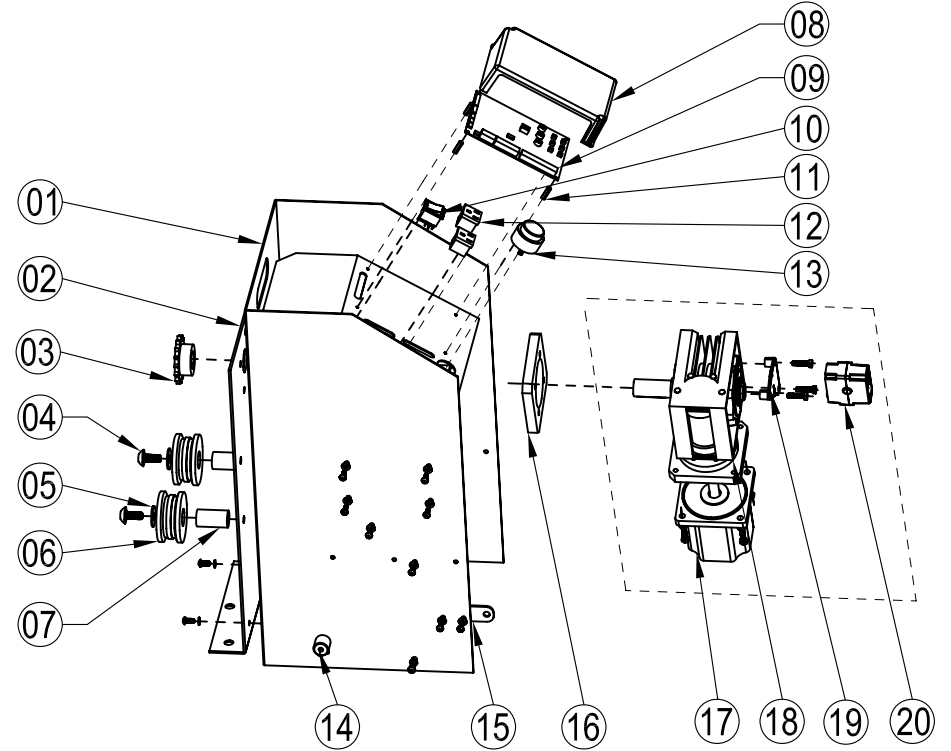
26 27 28 29 30 31



25



21 22 23 24



26	Jumper Wire For Battery	R4297/R4298	31
25	Switch Wire Harness		29,30
24	Cover	R4256	25
23	Power Supply	R4444	24
22	Junction Box	R4237	23
21	Drive Board	R4231	22
20	Angle Slide Mount	R4249	21
19	Gear Box	R4445	19,20,26
18	Worm Speed Reducer	R4229R	18
17	Linix Motor	R4240	17
16	Outputspacer	R4252R	16
15	Lockbar	R4251	15
14	Cover Spacer	R4314	14
13	Buzzer&Jumper Wire	R4309	13,28
12	Ac Outlet UL Listed	R4294	12
11	Standoffs For Logic Board	R4238	11
10	OnOff-Switch	R4236	10
09	Logic_Board&Jumper Wire	R4232	09,27
08	Board Cover	R4340	08
07	Idler Pin	R4246	07
06	Chain Idler	R4247	06
05	Flat Washer	R4641	05
04	Button Head Screw	R4283	04
03	Sprocket	R4440	03
02	Support Plate	R4320B	02
01	Casel&Shelf		01
ITEM	Kit Name	Kit Number	Parts Included